

Preliminary

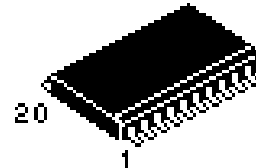
Automotive Dual High Side Driver

This device called "Flasher Lite" is a dual high side power switch dedicated for automotive applications. In comparison with mechanical relays, this device offers higher reliability as well as protection and diagnostic features.

The device consists of two independent 25mΩ R_{dson} switches in a surface mount package. It can be directly interfaced with a microcontroller for control and diagnostic functions and includes a current recopy function. The device is fully protected against overcurrents, short-circuits and incorporates an overtemperature shutdown. It can be directly and continuously supplied by the battery and offers a very low quiescent current in standby mode.

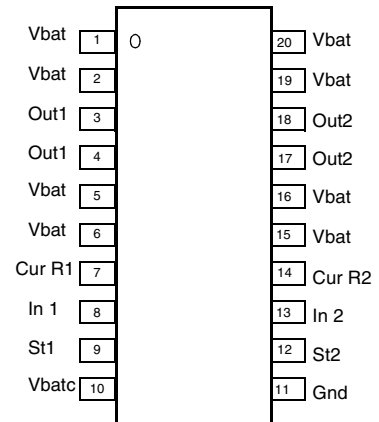
- Designed for Automotive Applications
- Junction Temperature Range from - 40°C to 150°C
- Operating Voltage Range from 8V to 40V
- Reverse Battery protected up to -14V with no external components
- Surface Mount Package, Thermally Enhanced
- 25mOhms max R_{dson} per Channel at 25°C
- Independant Status Lines, one per channel
- Overtemperature Protection with Hysteresis
- Open Load Detection in On-State
- Short-Circuit Protection
- Loss of gnd, loss of Vbat protection
- Independant Current Recopy, one per channel
- Under Voltage Shutdown
- ESD Protection 2kV
- Current Limitation greater than 25A to Allow load Inrush Current
- Standby Current less than 1uA at V_{bat}=14V and ambient temperature

XC33487

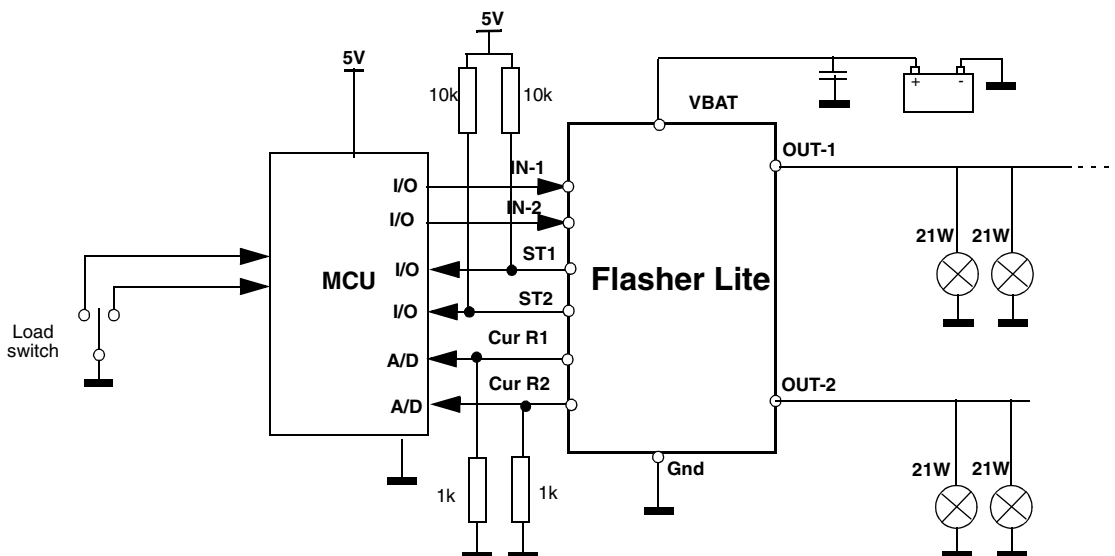


DW SUFFIX
SO20WB Package
CASE 751D-05

PIN CONNECTIONS



Simplified Application Schematic



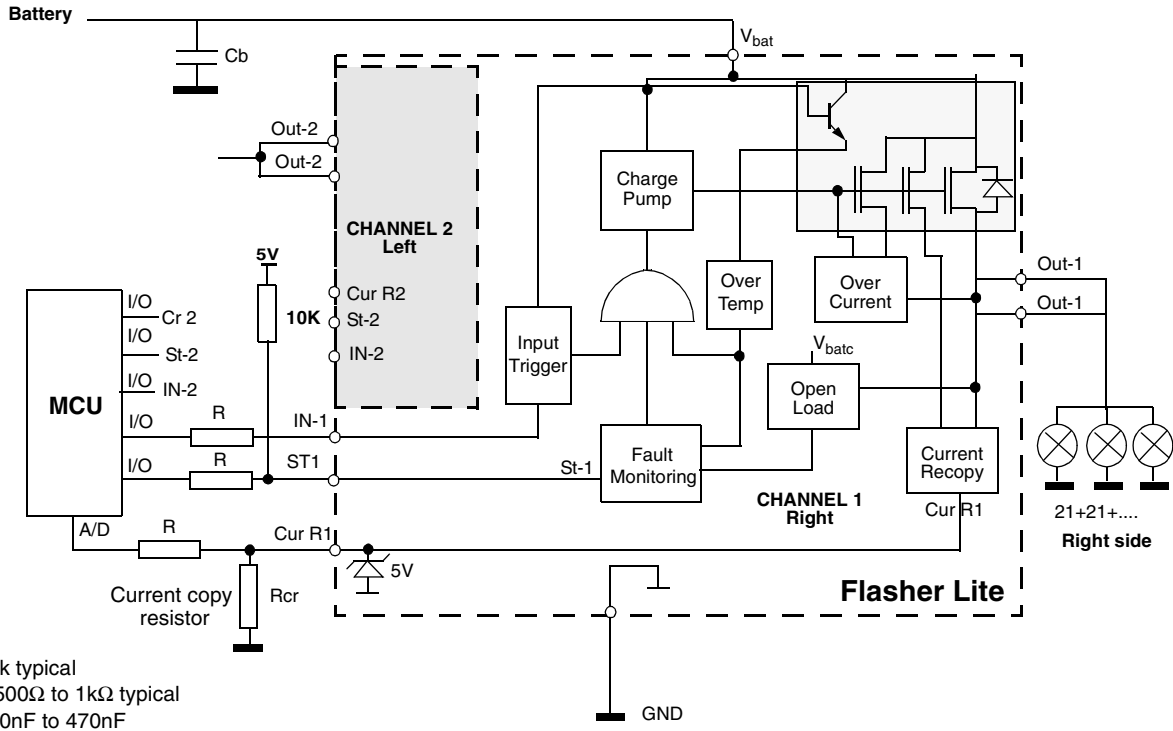
Ratings	Symbol	Value	Unit
---------	--------	-------	------

ELECTRICAL RATINGS			
Vbat Voltage with Respect to Gnd : Continuous/Pulse	Vbat	-14 to + 40	V
Out-1 & Out-2 Voltage with Respect of Gnd : Continuous/Pulse	Vout	-0.3 to 40	V
Out-1 to Vbat & Out-2 to Vbat voltage : Continuous/Pulse	Vout	40	V
IN-1, IN-2, ST-1, ST-2 Voltage : Continuous/Pulse	Vin	-0.3 to 7	V
Cur R1, Cur R2 Voltage : Continuous/Pulse	Vcr	-0.3 to 7	V
ESD all Pins	Vesd	+/-2000	V
Out-1, Out-2 DC Output Current	Ioutdc	8	Amp
Out-1, Out-2 Output Current : Pulse	Ioutp	40	Amp
IN-1, IN-2, ST-1, ST-2, Cur R1, Cur R2 Input Current	Iin	+/-5	mA

THERMAL RATINGS			
Junction Temperature	Tj	- 40 to 150	°C
Storage Temperature Range	Tst	- 65 to +150	°C
Thermal Resistance Junction to Case	Rthjc	12	°C/W
Thermal Resistance Junction to Ambient (note 1)	Rthja	60	°C/W
Power Dissipation at Tcase 105°C (note 2)	Pd	3.75	W

NOTES:
 1. Device mounted with minimum pcb dimensions.
 2. Assuming a 150°C maximum junction temperature.

Figure 1. Block Diagram and Application Schematic



ELECTRICAL CHARACTERISTICS (Vbatc and Vbatp from 9 to 16 V and junction temperature Tj from -40° to 150°C, unless otherwise noted)


Description	Symbol	Characteristics			Unit	Conditions
		min.	typ.	max.		
Nominal Operating Voltage	V _{bat}	9		16	V	
Functional Operating Voltage	V _{bat}	8		35	V	
Under Voltage Threshold	V _{uv}	6	7	8	V	
Vbat Standby Supply Current	I _{stdby}			1		V _{bat} < 14V & V _{in} = 0V, T _j = 25°C
Vbat Standby Supply Current	I _{stdby}			25	μA	V _{bat} < 14V & V _{in} = 0V, T _j = 125°C
Supply Current in On State	I _{on}		8	20	mA	IN-1 & IN-2 @ 3.5V, no fault, V _{bat} < 14V
Drain to Source on Resistance	R _{dson}		17	22	mΩ	I _{out} = 4A, T _j = 25°C
Drain to Source on Resistance	R _{dson}		22	30	mΩ	I _{out} = 4A, T _j = 125°C
High Current Limitation	I _{lim}		30		A	V _{out} > 1V
Short Circuit Limitation	I _{lim}		10			V _{out} < 1V
Hot Openload Threshold	I _{ol}		0.6		A	
Output Body Diode Voltage	V _{bd}		0.7		V	I _{out} = -4A, T _j = 25°C
Reverse Battery Drain to Source Voltage	V _{rb}			200	mV	I _{out} = -4A, V _{bat} = -14V, T _j = 125°C
Vbat to Output Breakdown Voltage	V _{dss}	40			V	In-1 and In-2 @ 0V, V _{out} = 0, I _{out} -0.25mA
Vbat to Out : Leakage Current	I _{out-leak}			10	μA	V _{in} = 0V, V _{bat} = 40V, V _{out} = 0V
Vin-1, Vin-2 : Input Voltage Low Threshold	V _{il}			1.5	V	
Vin-1, Vin-2 : Input Voltage High Threshold	V _{ih}	3.5			V	
Vin-1, Vin-2 : Input Voltage Hysteresis	V _{ih}	0.2	0.7	0.9	V	
Vin-1, Vin-2 : Input Current	I _{in}		18	30	μA	Vin-1, Vin-2 = 3.5V
Status Output Voltage	V _{st}			0.5	V	I _{st} = 1mA; Output in Fault
Thermal Shutdown	T _{shut}	150			°C	
Thermal Shutdown Hysteresis	T _{hyst}		10		°C	
Current Recopy Ratio	Cr		1/1000			V _{out} > V _{bat} - 1V, I _{out} from 2A to 4A T _j -40°C to 125°C, V _{bat} 9 to 16V
Current Recopy Ratio Accuracy	Cr-ac	-10		10	%	V _{out} > V _{bat} - 1V, I _{out} from 2A to 4A T _j -40°C to 125°C, V _{bat} 9 to 16V
Current Recopy Clamp Voltage At 10mA	V _{clst}	5.5		7	V	I _{out} = 9A
Frequency Operation	F _{op}			150	Hz	
Maximum Output Positive Slew Rate	Tr	0.01	0.2	0.5	V/μs	
Maximum Output Negative Slew Rate	Tf	0.15	0.5	1.5	V/μs	
Turn On delay time	T _{don}		50	150	μs	load = 6Ω, from Vin/2 to 10% V _{out}
Turn Off delay time	T _{doff}		70	150	μs	load = 6Ω, from Vin/2 to 90% V _{out}

FUNCTIONAL TRUTH TABLE

Conditions	IN1	IN2	OUT1	OUT2	St1	St2
Normal Operation	L H L H	L L H H	L H L H	L L H H	H H H H	H H H H
Undervoltage	X	X	L	L	H	H
Overtemperature Channel 1 Overtemperature Channel 2 Overtemperature Channel 1/Channel 2	H X H	X H H	L X L	X L L	L H L	H L L
Open Load Channel 1 Open Load Channel 2	H X	X H	H X	X H	L H	H L
Overcurrent Channel 1 Overcurrent Channel 2	H X	X H	X X	X X	H H	H H

PIN FUNCTION DESCRIPTION

Pin No.	Name/Function	Description
1, 2, 5, 6, 15, 16, 19, 20 10	V_{bat} Supply Voltage V_{batc} Supply Voltage	These are the power supply pins of the device. These pins are directly connected with the lead frame of the package and are tied to the drain of the switching MOSFET. These pins can be directly connected to the battery voltage. In addition to their supply functions, these pins participate to the thermal behaviour of the device in conducting the heat from the switching MOSFET to the printed circuit board. V_{batc} provide the supply voltage to the control die.
3, 4, 18, 17	OUT1 OUTPUT Channel 1 OUT2 OUTPUT Channel 2	Pins 3 and 4 are the output 1 terminals. Pins 17 and 18 are the output 2 terminals. They are directly connected to the source of the power MOSFET. The R_{dson} is 25m Ω max per output at 25°C. Its value increases up to 40m Ω at 150°C junction temperature.
8, 13	IN 1 INPUT Channel 1 IN 2 INPUT Channel 2	These are the device input pins, which directly control their associated output. The thresholds are CMOS compatible. When the input is in low state, the associated output MOSFET is off. When input is high, the MOSFET is turned on and the load is activated. When both inputs are low, the device is in standby mode and its supply current is less than 10uA for V_{bat} up to 14V.
7, 14	Cur R1 Current Recopy for Channel 1 Cur R2 Current Recopy for Channel 2	These pins corresponds to a current recopy for each outputs. Their high accuracy permit to allow a precise monitoring of the outputs loads as well as to detect a failed lamp among several lamps. An external resistor must be connected to these pins which can be tied to a microcontroller A/D for analog measurements
9, 12	ST-1 Status for Channel 1 ST-2 Status for Channel 2	These pins are the channel 1 and 2 status. Their internal structure is an open drain with an internal clamp at 6V. An external pull up connected to the 5V is needed. When the device is in normal condition the status is high. If open load or overtemperature occurs on one channel, the associated output status will be pulled low.

Motorola reserves the right to make changes without further notice to any products herein. Motorola makes no warranty, representation or guarantee regarding the suitability of its products for any particular purpose, nor does Motorola assume any liability arising out of the application or use of any product or circuit, and specifically disclaims any and all liability, including without limitation consequential or incidental damages. "Typical" parameters which may be provided in Motorola data sheets and/or specifications can and do vary in different applications and actual performance may vary over time. All operating parameters, including "Typical" must be validated for each customer application by customer's technical experts. Motorola does not convey any license under its patent rights nor the rights of others. Motorola products are not designed, intended, or authorized for use as components in systems intended for surgical implant into the body, or other applications intended to support or sustain life, or for any application in which the failure of the Motorola product could create a situation where personal injury or death may occur. Should Buyer purchase or use Motorola products for any such unintended or unauthorized application, Buyer shall indemnify and hold Motorola and its officers, employees, subsidiaries, affiliates, and distributors harmless against all claims, costs, damages, and expenses, and reasonable attorney fees arising out of, directly or indirectly, any claim of personal injury or death associated with such unintended or un authorized use, even if such claim alleges that Motorola was negligent regarding the design or manufacture of the parts. Motorola and  are registered trademarks of Motorola, Inc. Motorola, Inc. is an Equal Employment Opportunity/Affirmative Action Employer.

How to reach us:

USA / EUROPE / Locations Not Listed: Motorola Literature Distribution;
P.O. Box 5405, Denver, Colorado 80217. 1-303-675-2140 or 1-800-441-2447

JAPAN: Motorola Japan Ltd.; SPS, Technical Information Center, 3-20-1,
Minami-Azabu, Minato-ku, Tokyo 106-8573 Japan. 81-3-344-3569

Technical Information Center: 1-800-521-6274

ASIA / PACIFIC: Motorola Semiconductors H.K. Ltd.; Silicon Harbour Centre,
2, Dai King Street, Tai Po Industrial Estate, Tai Po, N.T., Hong Kong.
852-26668334

HOME PAGE: <http://www.motorola.com/semiconductors>



MOTOROLA

SUNSTAR 商斯达实业集团是集研发、生产、工程、销售、代理经销、技术咨询、信息服务等为一体的高科技企业，是专业高科技电子产品生产厂家，是具有 10 多年历史的专业电子元器件供应商，是中国最早和最大的仓储式连锁规模经营大型综合电子零部件代理分销商之一，是一家专业代理和分销世界各大品牌 IC 芯片和电子元器件的连锁经营综合性国际公司，专业经营进口、国产名厂名牌电子元件，型号、种类齐全。在香港、北京、深圳、上海、西安、成都等全国主要电子市场设有直属分公司和产品展示展销窗口门市部专卖店及代理分销商，已在全国范围内建成强大统一的供货和代理分销网络。我们专业代理经销、开发生产电子元器件、集成电路、传感器、微波光电元器件、工控机/DOC/DOM 电子盘、专用电路、单片机开发、MCU/DSP/ARM/FPGA 软件硬件、二极管、三极管、模块等，是您可靠的一站式现货配套供应商、方案提供商、部件功能模块开发配套商。商斯达实业公司拥有庞大的资料库，有数位毕业于著名高校——有中国电子工业摇篮之称的西安电子科技大学（西军电）并长期从事国防尖端科技研究的高级工程师为您精挑细选、量身订做各种高科技电子元器件，并解决各种技术问题。

更多产品请看本公司产品专用销售网站：

商斯达中国传感器科技信息网：<http://www.sensor-ic.com/>

商斯达工控安防网：<http://www.pc-ps.net/>

商斯达电子元器件网：<http://www.sunstare.com/>

商斯达微波光电产品网：[HTTP://www.rfoe.net/](http://www.rfoe.net/)

商斯达消费电子产品网：<http://www.icasic.com/>

商斯达实业科技产品网：<http://www.sunstars.cn/>

传感器销售热线：

地址：深圳市福田区福华路福庆街鸿图大厦 1602 室

电话：0755-83370250 83376489 83376549 83607652 83370251 82500323

传真：0755-83376182 (0) 13902971329 MSN: SUNS8888@hotmail.com

邮编：518033 E-mail:szss20@163.com QQ: 195847376

深圳赛格展销部：深圳华强北路赛格电子市场 2583 号 电话：0755-83665529 25059422

技术支持：0755-83394033 13501568376

欢迎索取免费详细资料、设计指南和光盘；产品凡多，未能尽录，欢迎来电查询。

北京分公司：北京海淀区知春路 132 号中发电子大厦 3097 号

TEL: 010-81159046 82615020 13501189838 FAX: 010-62543996

上海分公司：上海市北京东路 668 号上海赛格电子市场 2B35 号

TEL: 021-28311762 56703037 13701955389 FAX: 021-56703037

西安分公司：西安高新开发区 20 所(中国电子科技集团导航技术研究所)

西安劳动南路 88 号电子商城二楼 D23 号

TEL: 029-81022619 13072977981 FAX:029-88789382